

P3CD03065A

650V/3A SiC Power Schottky Barrier Diode Product



Features

- Positive temperature coefficient for easy parallel use
- Switching characteristics that are not affected by temperature
- Maximum operating temperature 175 °C
- Zero reverse recovery current
- Zero forward recovery voltage

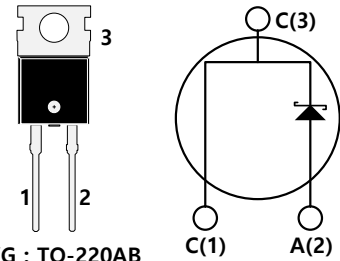
Key Characteristics		
V_{RRM}	650	V
$I_F, T_C \leq 156^\circ\text{C}$	3	A
Q_C	11	nC

Benefits

- Unipolar device
- Greatly reduce switching losses
- No thermal crash in parallel devices
- Reduce system dependence on heat sinks

Applications

- Switch Mode Power Supply (SMPS), Power Factor Correction (PFC)
- Motor drive, photovoltaic inverter, uninterruptible power supply, Wind turbines, train traction systems, electric vehicles.



PKG : TO-220AB



Absolute Maximum Ratings $T_C = 25^\circ\text{C}$ unless otherwise specified

Symbol	Parameter	Test Condition	Value	Unit
V_{RRM}	Repetitive Peak Reverse Voltage		650	V
V_{RSM}	Surge Peak Reverse Voltage		650	V
V_{DC}	DC Blocking Voltage		650	V
I_F	Continuous Forward Current	$T_C=25^\circ\text{C}$	11	A
		$T_C=135^\circ\text{C}$	5	A
		$T_C=156^\circ\text{C}$	3	A
I_{FRM}	Repetitive Peak Forward Surge Current	$T_C=25^\circ\text{C}$, $t_p=10\text{ms}$, Half Sine Wave, $D=0.3$	15	A
I_{FSM}	Non-repetitive Peak Forward Surge Current	$T_C=25^\circ\text{C}$, $t_p=10\text{ms}$, Half Sine Wave	35	A
P_{TOT}	Power Dissipation	$T_C=25^\circ\text{C}$	53.2	W
		$T_C=110^\circ\text{C}$	23	
T_j	Operating Junction		-55 to 175	$^\circ\text{C}$
T_{stg}	Storage Temperature		-55 to 175	$^\circ\text{C}$



Thermal Characteristics

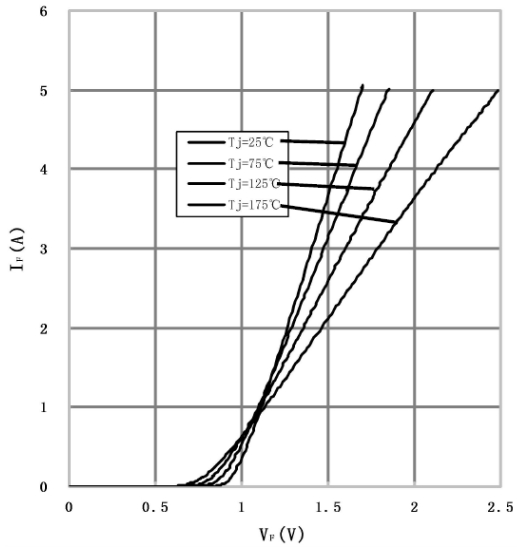
Symbol	Parameter	Test Condition	Value	Unit
			Typ.	
R_{thJc}	Thermal resistance from junction to case		2.82	°C/W

Electrical Characteristics, Nomination temperature Tj=25°C

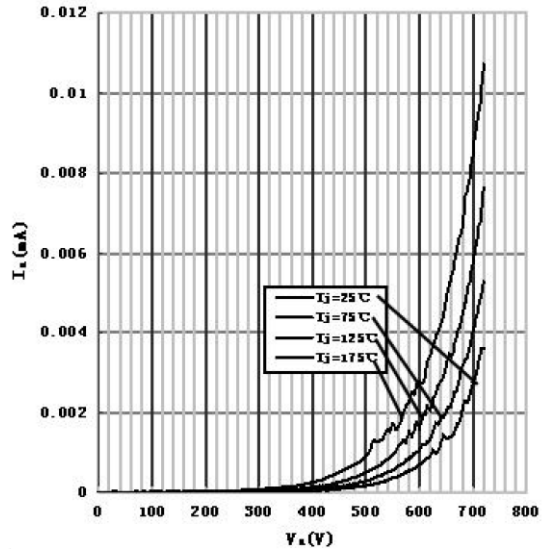
Symbol	Parameter	Test Condition	Numerical		Unit
			Typ.	Max.	
V_F	Forward Voltage	$I_F=3A, T_j=25^\circ C$	1.4	1.7	V
		$I_F=3A, T_j=175^\circ C$	1.8	2.5	
I_R	Reverse Current	$V_R=650V, T_j=25^\circ C$	10	50	μA
		$V_R=650V, T_j=175^\circ C$	20	100	
Q_C	Total capacitive Charge	$V_R=400V, T_j=150^\circ C$ $Q_C = \int_0^{V_R} C(V)dV$	11	-	nC
C	Total Capacitance	$V_R=0V, T_j=25^\circ C, f=1MHZ$	181	220	pF
		$V_R=200V, T_j=25^\circ C, f=1MHZ$	22.5	25	
		$V_R=400V, T_j=25^\circ C, f=1MHZ$	20.5	21	

Performance Graphs

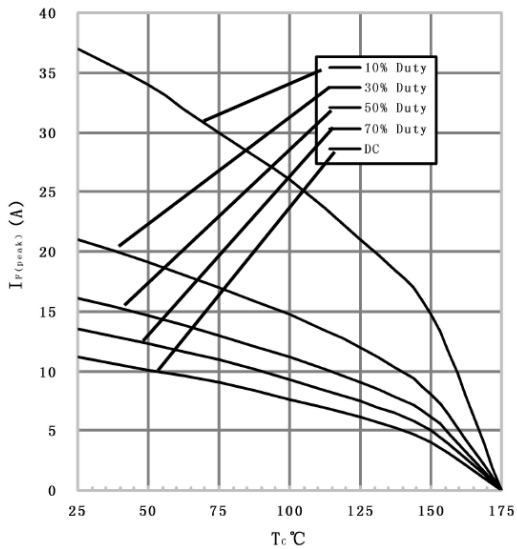
1) Forward IV characteristics as a function of T_j



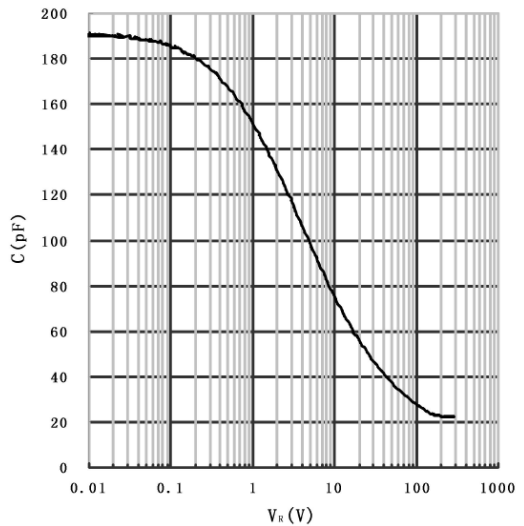
2) Reverse IV characteristics as a function of T_j



3) Current Derating

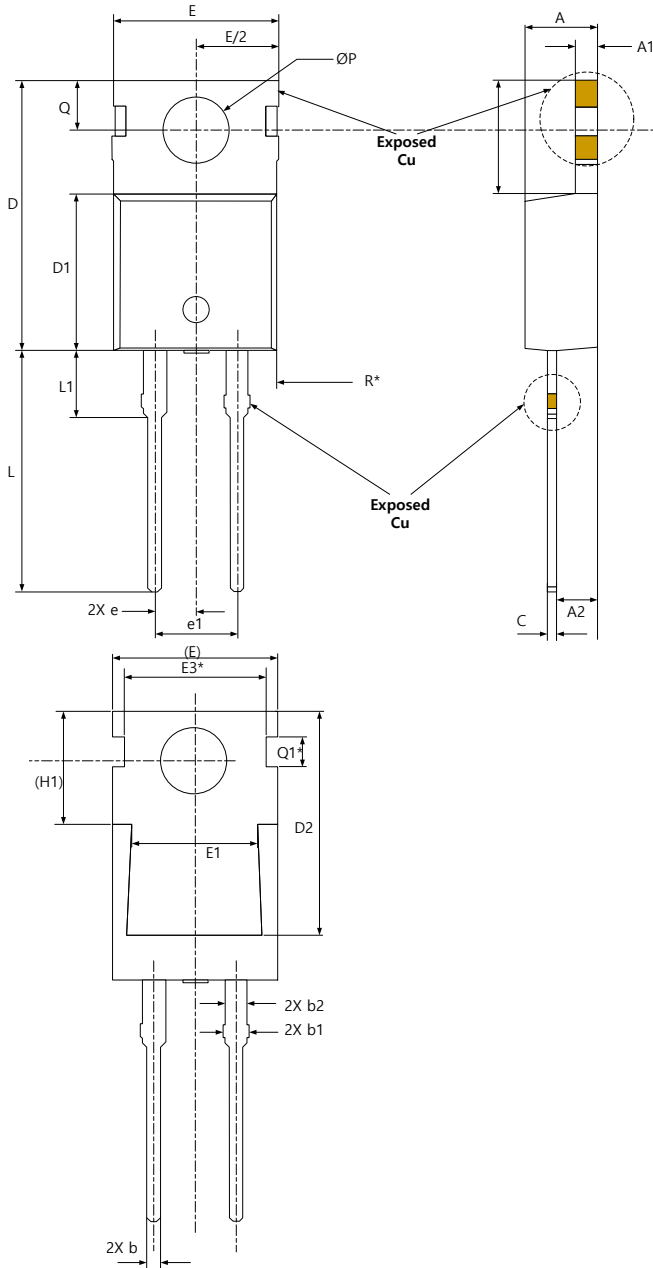


4) Capacitance VS. reverse voltage





Package Outline



SYMBOL	DIMENSIONS			NOTES
	MIN	NOM	MAX	
A	4.24	4.44	4.64	
A1	1.15	1.27	1.40	
A2	2.30	2.48	2.70	
b	0.70	0.80	0.90	
b1	1.20	1.55	1.75	
b2	1.20	1.45	1.70	
c	0.40	0.50	0.60	
D	14.70	15.37	16.00	4
D1	8.82	8.92	9.02	
D2	12.63	12.73	12.83	5
E	9.96	10.16	10.36	4, 5
E1	6.86	7.77	8.89	5
E3*	8.70 REF			
e	2.54 BSC			
e1	5.08 BSC			
H1	6.30	6.45	6.60	5.6
L	13.47	13.72	13.97	
L1	3.60	3.80	4.00	
ϕP	3.75	3.84	3.93	
Q	2.60	2.80	3.00	
Q1*	1.73 REF			
R*	1.82 REF			

Symbol	Parameter	Test Condition	Numerical		Unit
			Typ.	Max.	
M_d	Mounting torque	TO-220AC M3 Screw 6-32 Screw	1/8.8	-	Nm/lbf.in.