

P3CD05065H

650V/5A SiC Power Schottky Barrier Diode Product



Features

- Positive temperature coefficient for easy parallel use
- Switching characteristics that are not affected by temperature
- Maximum operating temperature 175 °C
- Zero reverse recovery current
- Zero forward recovery voltage

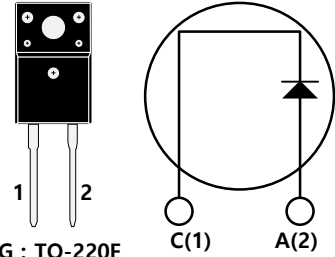
Key Characteristics		
V_{RRM}	650	V
$I_F, T_C \leq 140^\circ\text{C}$	5	A
Q_C	23	nC

Benefits

- Unipolar device
- Greatly reduce switching losses
- No thermal crash in parallel devices
- Reduce system dependence on heat sinks

Applications

- Switch Mode Power Supply (SMPS), Power Factor Correction (PFC)
- Motor drive, photovoltaic inverter, uninterruptible power supply, Wind turbines, train traction systems, electric vehicles.



PKG : TO-220F



Absolute Maximum Ratings $T_C = 25^\circ\text{C}$ unless otherwise specified

Symbol	Parameter	Test Condition	Value	Unit
V_{RRM}	Repetitive Peak Reverse Voltage		650	V
V_{RSM}	Surge Peak Reverse Voltage		650	V
V_{DC}	DC Blocking Voltage		650	V
I_F	Continuous Forward Current	$T_C=25^\circ\text{C}$	12	A
		$T_C=135^\circ\text{C}$	6	A
		$T_C=140^\circ\text{C}$	5	A
I_{FRM}	Repetitive Peak Forward Surge Current	$T_C=25^\circ\text{C}$, $t_p=10\text{ms}$, Half Sine Wave, $D=0.3$	25	A
I_{FSM}	Non-repetitive Peak Forward Surge Current	$T_C=25^\circ\text{C}$, $t_p=10\text{ms}$, Half Sine Wave	78	A
P_{TOT}	Power Dissipation	$T_C=25^\circ\text{C}$	30.9	W
		$T_C=110^\circ\text{C}$	13.4	
T_j	Operating Junction		-55 to 175	$^\circ\text{C}$
T_{stg}	Storage Temperature		-55 to 175	$^\circ\text{C}$



Thermal Characteristics

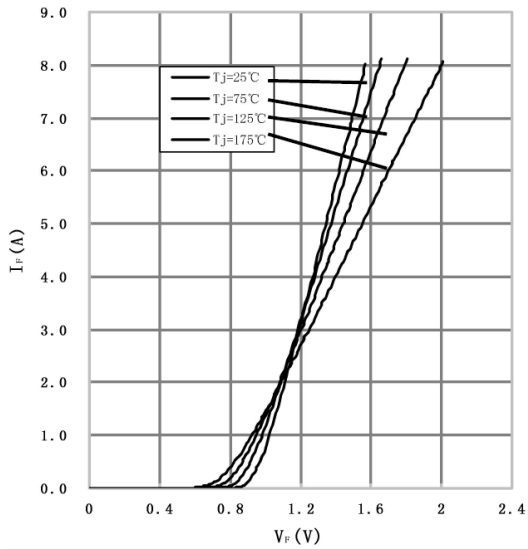
Symbol	Parameter	Test Condition	Value	Unit
			Typ.	
R_{thJc}	Thermal resistance from junction to case		4.85	°C/W

Electrical Characteristics, Nomination temperature $T_j=25^\circ\text{C}$

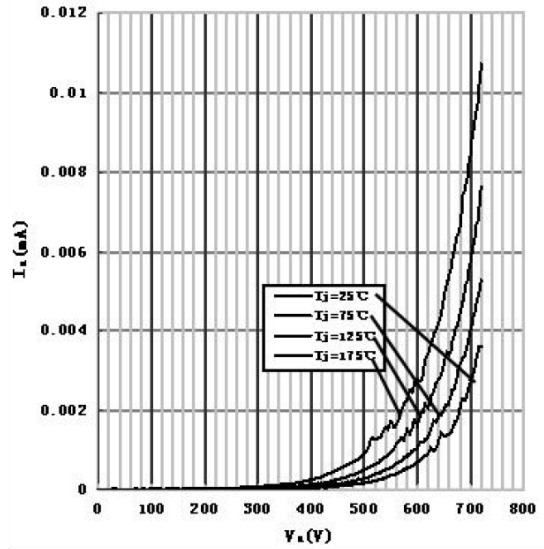
Symbol	Parameter	Test Condition	Numerical		Unit
			Typ.	Max.	
V_F	Forward Voltage	$I_F=5\text{A}, T_j=25^\circ\text{C}$	1.35	1.7	V
		$I_F=5\text{A}, T_j=175^\circ\text{C}$	1.55	2.5	
I_R	Reverse Current	$V_R=650\text{V}, T_j=25^\circ\text{C}$	10	50	μA
		$V_R=650\text{V}, T_j=175^\circ\text{C}$	20	100	
Q_C	Total capacitive Charge	$V_R=400\text{V}, T_j=150^\circ\text{C}$ $Q_C = \int_0^{V_R} C(V)dV$	23	-	nC
C	Total Capacitance	$V_R=0\text{V}, T_j=25^\circ\text{C}, f=1\text{MHZ}$	424	434	pF
		$V_R=200\text{V}, T_j=25^\circ\text{C}, f=1\text{MHZ}$	44	45	
		$V_R=400\text{V}, T_j=25^\circ\text{C}, f=1\text{MHZ}$	42.5	43	

Performance Graphs

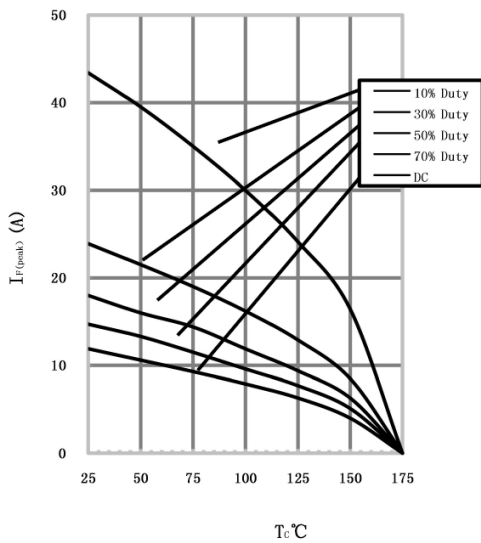
1) Forward IV characteristics as a function of T_j



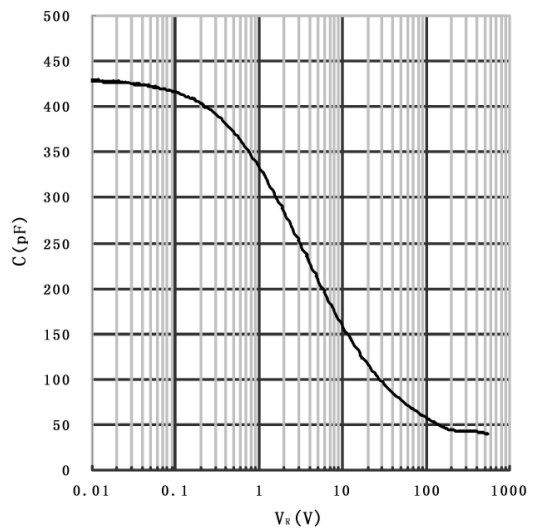
2) Reverse IV characteristics as a function of T_j



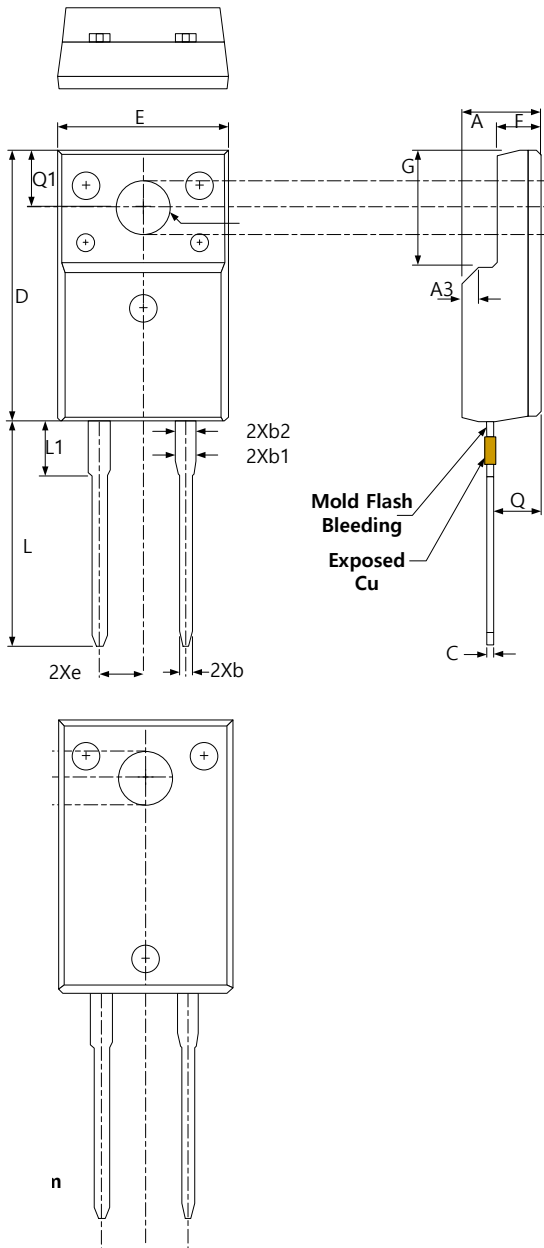
3) Current Derating



4) Capacitance VS. reverse voltage



Package Outline



SYMBOL	DIMENSIONS			NOTES
	MIN	NOM	MAX	
A	4.60	4.70	4.80	
b	0.70	0.80	0.91	
b1	1.20	1.30	1.47	
b2	1.10	1.20	1.30	
C	0.45	0.50	0.63	
D	15.80	15.87	15.97	
e	2.54			
E	10.00	10.10	10.30	
F	2.44	2.54	2.64	
G	6.50	6.70	6.90	
L	12.90	13.10	13.30	
L1	3.13	3.23	3.33	
Q	2.65	2.75	2.85	
Q1	3.20	3.30	3.40	
φR	3.08	3.18	3.28	

Symbol	Parameter	Test Condition	Numerical		Unit
			Typ.	Max.	
M_d	Mounting torque	M3 Screw 6-32 Screw	1/8.8	-	Nm/ lbf-in