

# P3CD15120L

1200V/15A SiC Power Schottky Barrier Diode Product



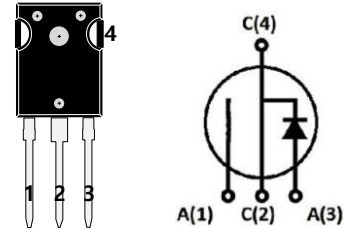
## Features

- Positive temperature coefficient for easy parallel use
- Switching characteristics that are not affected by temperature
- Maximum operating temperature 175 °C
- Zero reverse recovery current
- Zero forward recovery voltage

Key Characteristics		
$V_{RRM}$	1200	V
$I_F, T_C \leq 150^\circ\text{C}$	15	A
$Q_C$	84	nC

## Benefits

- Unipolar device
- Greatly reduce switching losses
- No thermal crash in parallel devices
- Reduce system dependence on heat sinks



PKG : TO-247

## Applications

- Switch Mode Power Supply (SMPS), Power Factor Correction (PFC)
- Motor drive, photovoltaic inverter, uninterruptible power supply, Wind turbines, train traction systems, electric vehicles.



**Absolute Maximum Ratings**  $T_C = 25^\circ\text{C}$  unless otherwise specified

Symbol	Parameter	Test Condition	Value	Unit
$V_{RRM}$	Repetitive Peak Reverse Voltage		1200	V
$V_{RSM}$	Surge Peak Reverse Voltage		1200	V
$V_{DC}$	DC Blocking Voltage		1200	V
$I_F$	Continuous Forward Current	$T_C=25^\circ\text{C}$	42	A
		$T_C=135^\circ\text{C}$	20	A
		$T_C=150^\circ\text{C}$	15	A
$I_{FRM}$	Repetitive Peak Forward Surge Current	$T_C=25^\circ\text{C}$ , $t_p=10\text{ms}$ , Half Sine Wave, $D=0.3$	75	A
$I_{FSM}$	Non-repetitive Peak Forward Surge Current	$T_C=25^\circ\text{C}$ , $t_p=10\text{ms}$ , Half Sine Wave	204	A
$P_{TOT}$	Power Dissipation	$T_C=25^\circ\text{C}$	263	W
		$T_C=110^\circ\text{C}$	114	
$T_j$	Operating Junction		-55 to 175	$^\circ\text{C}$
$T_{stg}$	Storage Temperature		-55 to 175	$^\circ\text{C}$



**Thermal Characteristics**

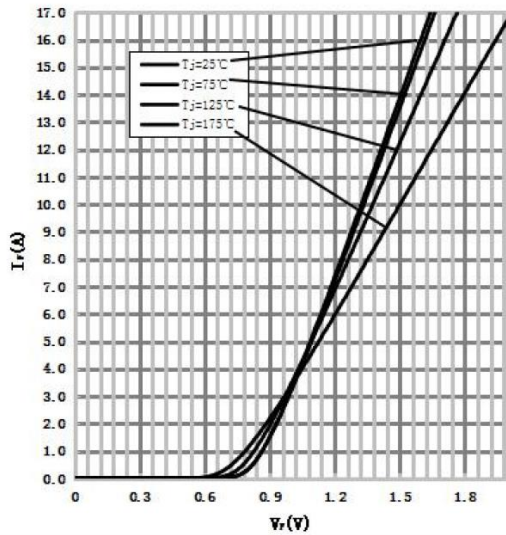
Symbol	Parameter	Test Condition	Value	Unit
			Typ.	
$R_{thJc}$	Thermal resistance from junction to case		0.57	°C/W

**Electrical Characteristics, Nomination temperature Tj=25°C**

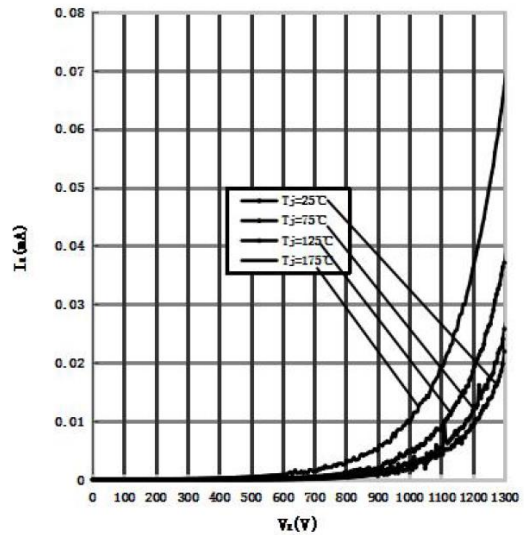
Symbol	Parameter	Test Condition	Numerical		Unit
			Typ.	Max.	
$V_F$	Forward Voltage	$I_F=15A, T_j=25^{\circ}C$	1.4	1.7	V
		$I_F=15A, T_j=175^{\circ}C$	2	2.5	
$I_R$	Reverse Current	$V_R=1200V, T_j=25^{\circ}C$	10	50	$\mu A$
		$V_R=1200V, T_j=175^{\circ}C$	40	100	
$Q_C$	Total capacitive Charge	$V_R=800V, T_j=150^{\circ}C$ $Qc = \int_0^{VR} C(V)dV$	84	-	nC
C	Total Capacitance	$V_R=0V, T_j=25^{\circ}C, f=1MHZ$	1370	1420	pF
		$V_R=400V, T_j=25^{\circ}C, f=1MHZ$	73	78	
		$V_R=800V, T_j=25^{\circ}C, f=1MHZ$	61	63	

## Performance Graphs

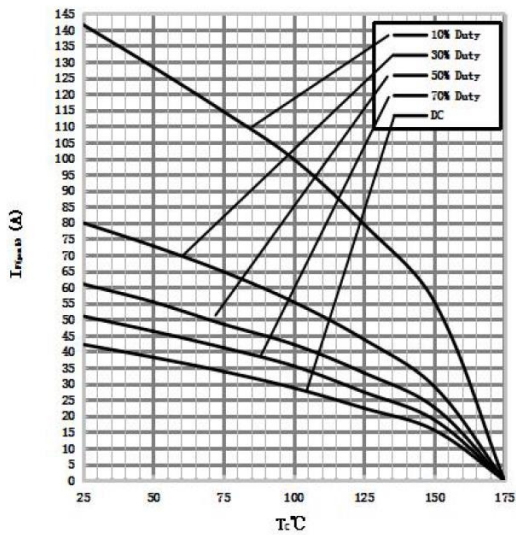
1) Forward IV characteristics as a function of  $T_j$



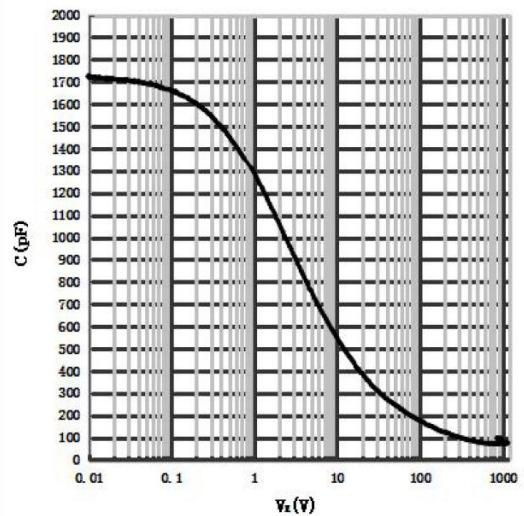
2) Reverse IV characteristics as a function of  $T_j$



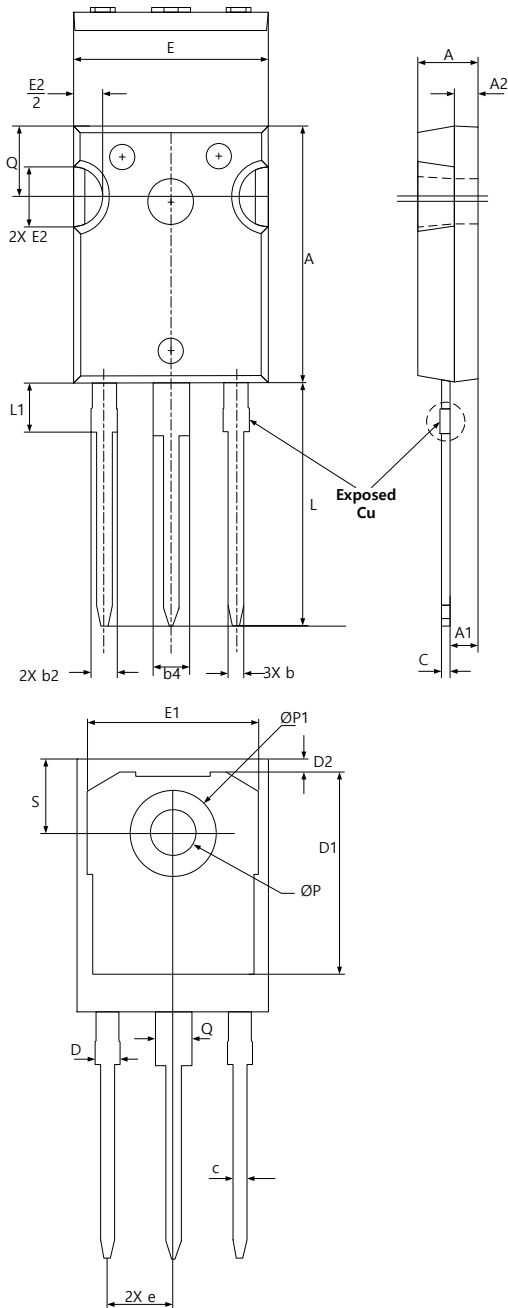
3) Current Derating



4) Capacitance VS. reverse voltage



### Package Outline



SYMBOL	DIMENSIONS			NOTES
	MIN	NOM	MAX	
<b>A</b>	4.83	5.02	5.21	
<b>A1</b>	2.29	2.41	2.55	
<b>A2</b>	1.50	2.00	2.49	
<b>b</b>	1.12	1.20	1.33	
<b>b1</b>	1.12	1.20	1.28	
<b>b2</b>	1.91	2.00	2.39	6
<b>b3</b>	1.91	2.00	2.34	
<b>b4</b>	2.87	3.00	3.22	6, 8
<b>b5</b>	2.87	3.00	3.18	
<b>c</b>	0.55	0.60	0.69	6
<b>c1</b>	0.55	6.00	0.65	
<b>D</b>	20.80	20.95	21.10	4
<b>D1</b>	16.25	16.55	17.65	5
<b>D2</b>	0.51	1.19	1.35	
<b>E</b>	15.75	15.94	16.13	4
<b>E1</b>	13.46	14.02	14.16	5
<b>E2</b>	4.32	4.91	5.49	3
<b>e</b>	5.44 BSC			
<b>L</b>	19.81	20.07	20.32	
<b>L1</b>	4.10	4.19	4.40	6
<b><math>\phi P</math></b>	3.56	3.61	3.65	7
<b><math>\phi P1</math></b>	7.19 REF			
<b>Q</b>	5.39	5.79	6.20	
<b>S</b>	6.04	6.17	6.30	

Symbol	Parameter	Test Condition	Numerical		Unit
			Typ.	Max.	
$M_d$	Mounting torque	M3 Screw 6-32 Screw	1/8.8	-	Nm/ lbf.in.